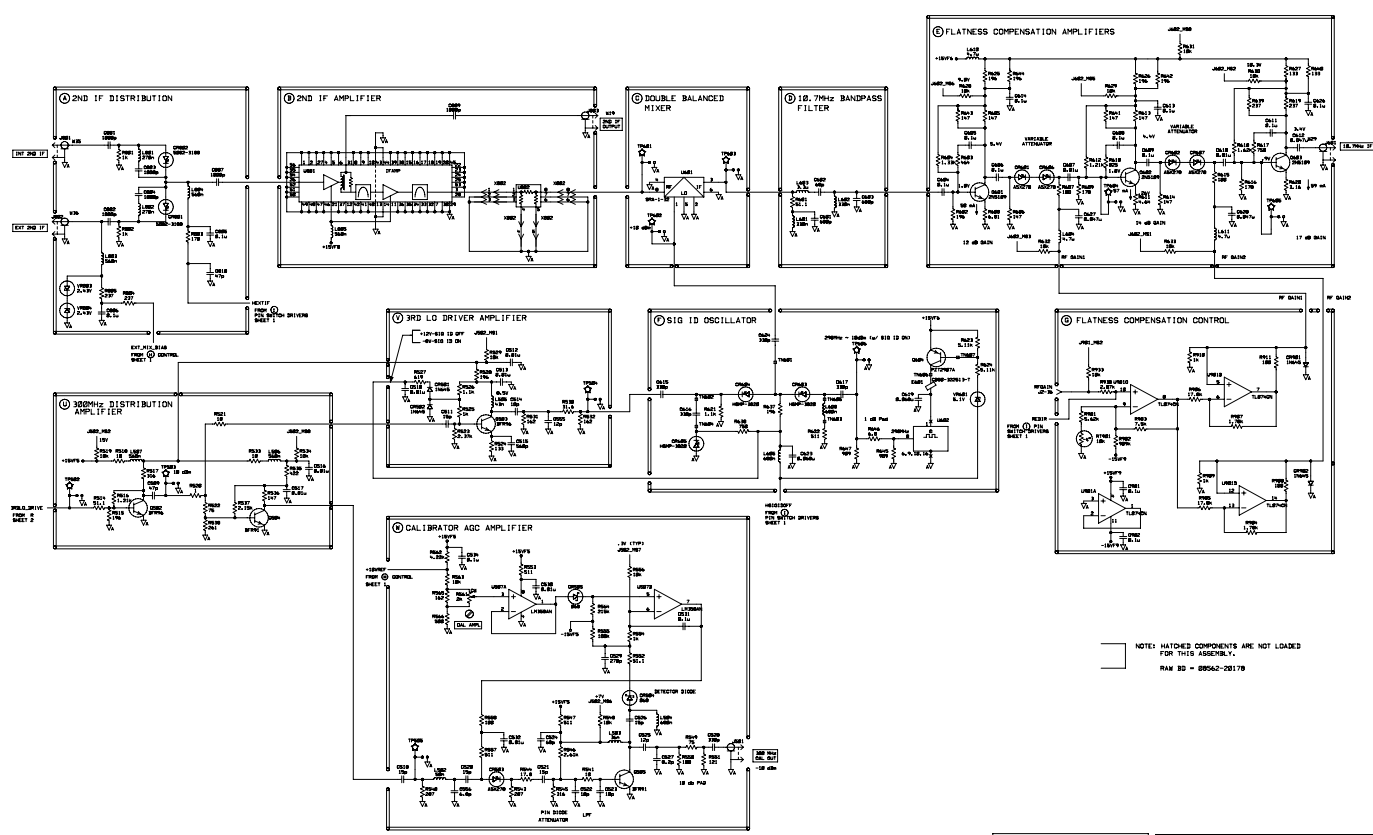


S328 HA 3528		D-08562-60178-1	
REV	REVISIONS	APPROVED	DATE
I	CHANGED PER CD-64299	/SL	K. WARD
II	CHANGED PER CD-68623	SL	J. KRADT
			85-17-81
			88-16-81



NOTE: HATCHED COMPONENTS ARE NOT LOADED FOR THIS ASSEMBLY.
RAW 88 - 88062-28178

NOTES:
1. AVERAGE PERFORMANCE WITH THIS BOARD IS 40dBm. SEE THE PWA BOARD SPECIFICATION FOR COMPLETE PERFORMANCE SPECIFICATIONS.
2. BOARD PERFORMANCE DEGRADATION DURING THE WARMUP PERIOD IS NOT SPECIFIED IN THIS DOCUMENT.

AGILENT TECHNOLOGIES
RESTRICTED
THIS DOCUMENT CONTAINS CONFIDENTIAL, PROPRIETARY INFORMATION THAT IS AGILENT TECHNOLOGIES PROPERTY. DO NOT DISCLOSE TO OR DUPLICATE FOR OTHERS EXCEPT AS AUTHORIZED BY AGILENT TECHNOLOGIES.

DAVE LUIZ	18-28-94
DRIVEN BY	DATE
DAVE LUIZ	18-28-94
ENGINEER/DESIGNER	DATE
DELAN CROSS	07-18-95
RELEASE TO PROD.	DATE
3-1	REV. #
SUPREME'S INC.	85-16-88

SCHMATIC, PWA
RADIO FREQUENCY
BOARD, OCXO

88062178	Agilent
FILENAME	
SCALE	None
SHEET 1 of 4	08562-60178
PART NUMBER	D-08562-60178-1